

PARTS LIST

309

DPW-309A

DPW-309SP

Foreword

Thank you for purchasing a Kansai Special DPW Series sewing machine.
Use this Parts List for easy identification and ordering of DPW-309 series repair and replacement parts.

You will find listings for reference numbers, parts numbers, parts names and quantities required.

For parts common to all the DPW-309 series see pages 1—15. All the parts except parts shown in boxes indicated with 309A Type or 309SP Type are common to all the DPW-309 series.

By referring to the index on pages 17—19, you can easily find the drawings and names for any parts number.

When ordering, please specify the following.

(Example) Model Ref. No. Parts No. Q'ty
 (DPW-309SP) (P12, 24) (19-361) (1 pc.)

In the drawings, components shown with reference number (ex. 392-A) in boxes indicate assembly parts. When ordering, please specify the assembly number.

(Example) Model Ref. No. Assembly No. Q'ty
 (DPW-309SP) (P6, 394-A) (30-005) (1 set)

This Parts List is valid for machines manufactured after December 1, 1977. Due to frequent design improvements, components and parts numbers may be changed in the future.

パーツリスト御利用に際して

DPW-309シリーズ製品お買い上げいただきありがとうございました。

本パーツリストは、DPW-309シリーズミシンの修理用部品が容易に御利用いただけるよう編集されております。

機構別に各頁に収録され、部品図解頁の下側または右側の頁に参照番号、部品番号、名称、使用数量の順で記載されております。1頁～15頁を参照して下さい。部品図解中で枠内に309Aタイプ又は309SPタイプと付記されている部品以外は、全て共通部品です。

また、17頁～19頁には部品索引表を記載しておりますので部品番号のみで、その図解、名称などが容易に引き出せます。

本パーツリストに基づき部品御注文の際は、部品番号を必ず明示して下さい。

(例) 機種名 参照番号 部品番号 数量
 (DPW-309SP) (P12, 24) (19-361) (1個)

部品図解中で枠内の部品に参照記号の付記されているものはアッセンブリ品です。御注文の際はアッセンブリ番号を明示して下さい。

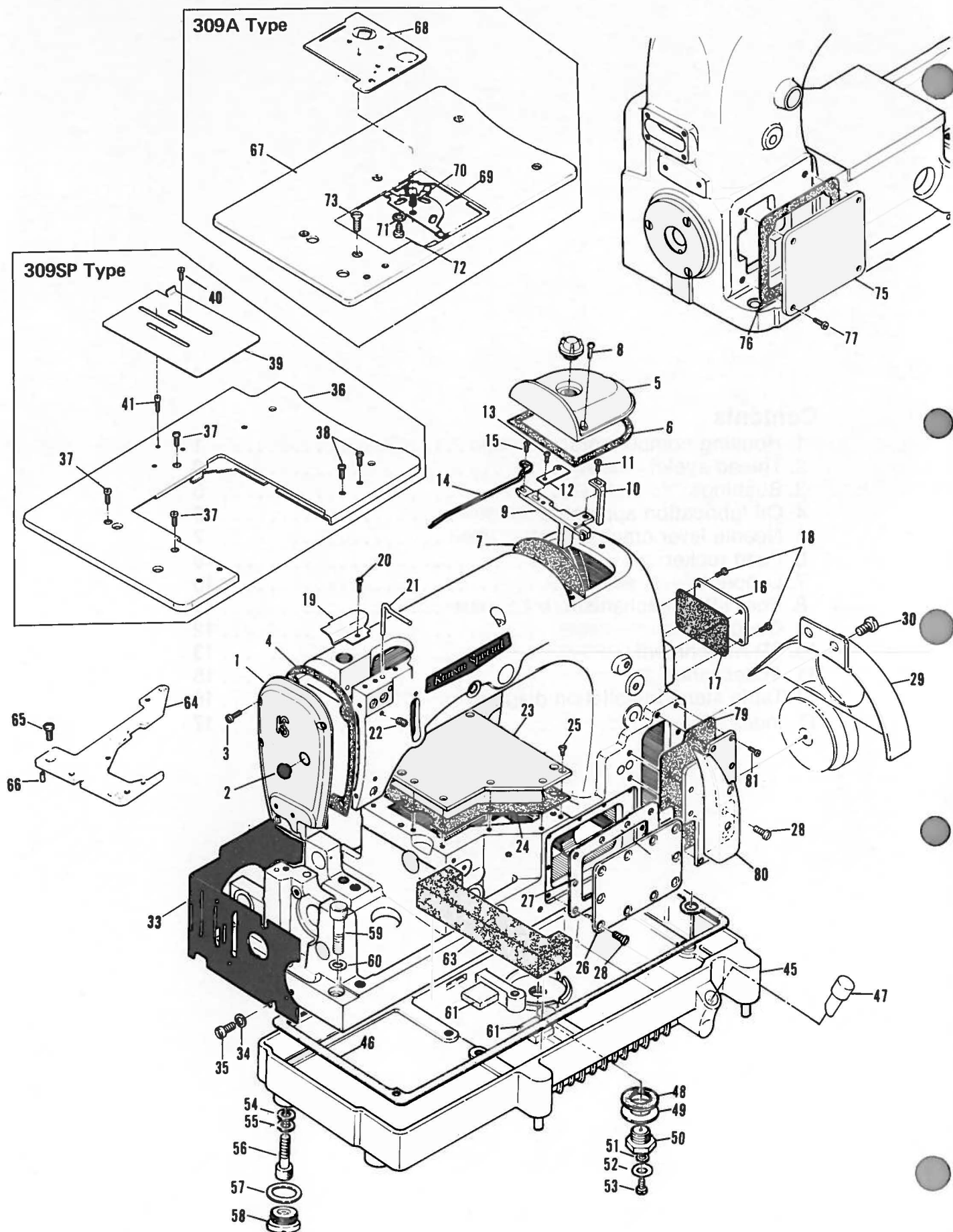
(例) 機種名 参照番号 アッセンブリ番号 数量
 (DPW-309SP) (P6, 394-A) (30-005) (1組)

本パーツリストは1977年12月現在製造中のミシンを基に作成されております。部品番号、部品形状などは設計変更により変わる場合があります。

Contents

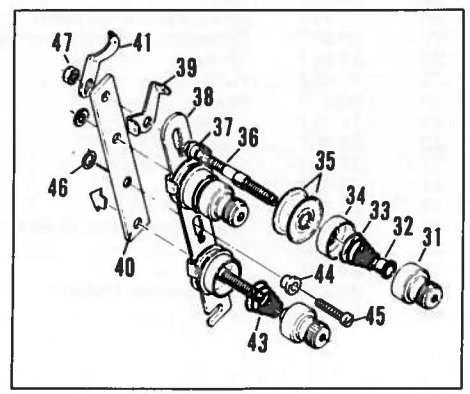
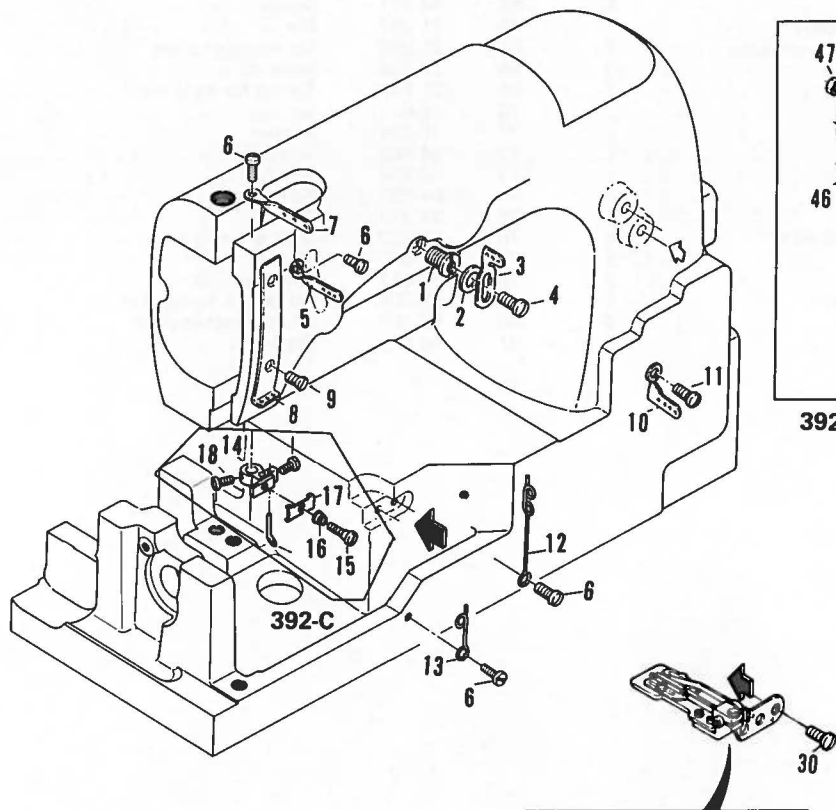
1. Housing components (カバー関係)	1
2. Thread eyelet (糸道関係)	3
3. Bushings (ブッシュ関係)	5
4. Oil lubrication apparatus (給油関係)	6
5. Needle lever crank (弓、クランク関係)	7
6. Feed rocker (送り台機構)	9
7. Looper (ルーパー機構)	10
8. Foot lifter mechanism (押え上げ機構)	11
9. Gauge parts (ゲージ関係)	12
10. SP Attachment (SPアタッチメント)	13
11. Accessories (アクセサリー)	15
12. Table stand installation diagram (テーブルスタンド据付図)	16
13. Index (索引)	17

1. Housing components (カバー関係)

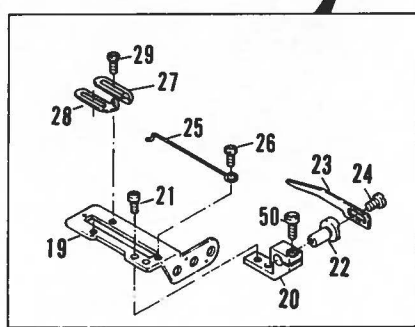


Ref. No.	Part No.	Part Name	Q'ty	Ref. No.	Part No.	Part Name	Q'ty
1	21-311	Head cover	1	41	84-562	Screw	1
2	23-161	Head cover oil seal cover	1	42	03-201	Guide bracket plate	1
3	84-566	Screw	5	43	03-209	Guide bracket gasket	1
4	23-211	Head cover gasket	1	44	84-572	Screw	11
5	21-201	Crank chamber oil cover	1	45	31-204	Oil reservoir D 309	1
6	23-202	Crank chamber oil cover gasket	1	46	23-404	Oil reservoir gasket D	1
7	23-209	Crank chamber oil cover	1	47	39-213	Oil gauge C	1
8	84-579	Screw	3	48	23-299	Drain gasket	1
9	03-216	Link guide A	1	49	75-469	Drain washer	1
10	03-217	Link guide B	1	50	87-810	Drain cover screw	1
11	84-574	Screw	1	51	23-301	Seal gasket	1
12	39-137	Support	1	52	75-453	Washer	1
13	84-161	Screw	1	53	84-761	Screw	1
14	35-266	Oil guide	1	54	23-260	Seal gasket	2
15	84-164	Screw	2	55	75-446	Washer	2
16	03-231	Cover	1	56	85-627	Screw	2
17	03-232	Gasket	4	57	23-302	Gasket	2
18	84-664	Needle bar link cover	1	58	87-756	Screw	2
19	03-215	Needle bar link cover	1	59	85-628	Screw	2
20	84-361	Screw	1	60	75-452	Washer	2
21	45-224	Needle thread take-up wire	1	61	39-163	Oil tank filter	2
22	84-363	Screw	1	62			
23	21-511	Oil reservoir top cover	1	63	39-161	Pump filter	1
24	23-221	Oil reservoir top cover gasket	1	64	14-052	Needle plate support	1
25	84-661	Screw	8	65	84-761	Screw	3
26	21-122	Oil reservoir front cover	1	66	71-251	Pin	2
27	23-232	Oil reservoir front cover gasket	1	67	21-550	Upper cloth plate	1
28	84-664	Screw	10	68	21-528	Slide plate	1
29	21-402	Pulley cover	1	69	21-531	Spring for slide plate	1
30	84-572	Screw	2	70	85-611	Screw	1
31	21-131	Tension post cover	1	71	75-454	Washer	3
32	84-361	Screw	1	72	84-585	Screw	3
33	21-307	Side plate cover	1	73	84-862	Screw	3
34	75-467	Washer	3	74	84-861	Screw	2
35	84-574	Screw	3	75	02-313	Gasket	1
36	21-503	Upper cloth plate (309SP)	1	76	02-232	Gear housing cover	1
37	84-862	Screw	3	77	84-862	Screw	4
38	85-181	Screw	2	78	32-311	Arm bed 309	1
39	03-233	Sliding cover (309SP)	1	79	03-209	Guide bracket gasket	1
40	84-581	Screw	2	80	03-201	Guide bracket plate	1
				81	84-572	Screw	7

2. Thread eyelet (糸道関係)



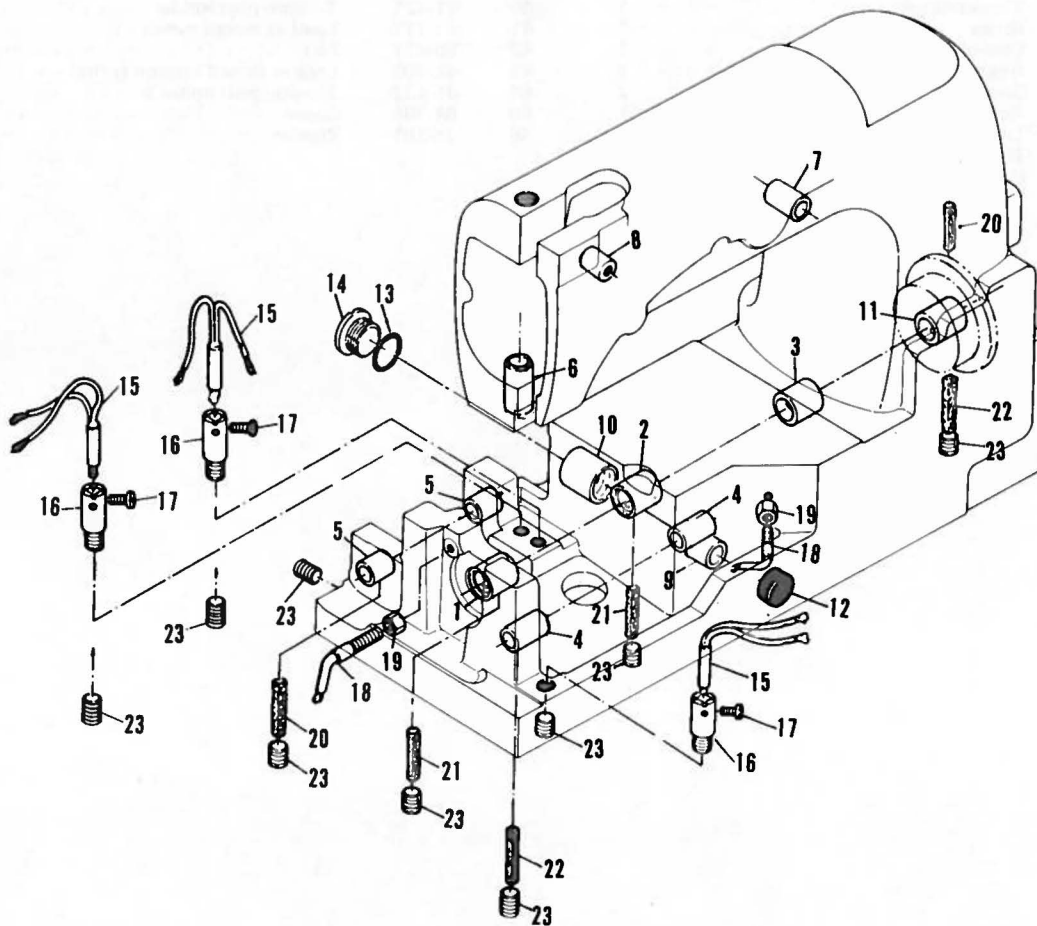
392-A



392-B

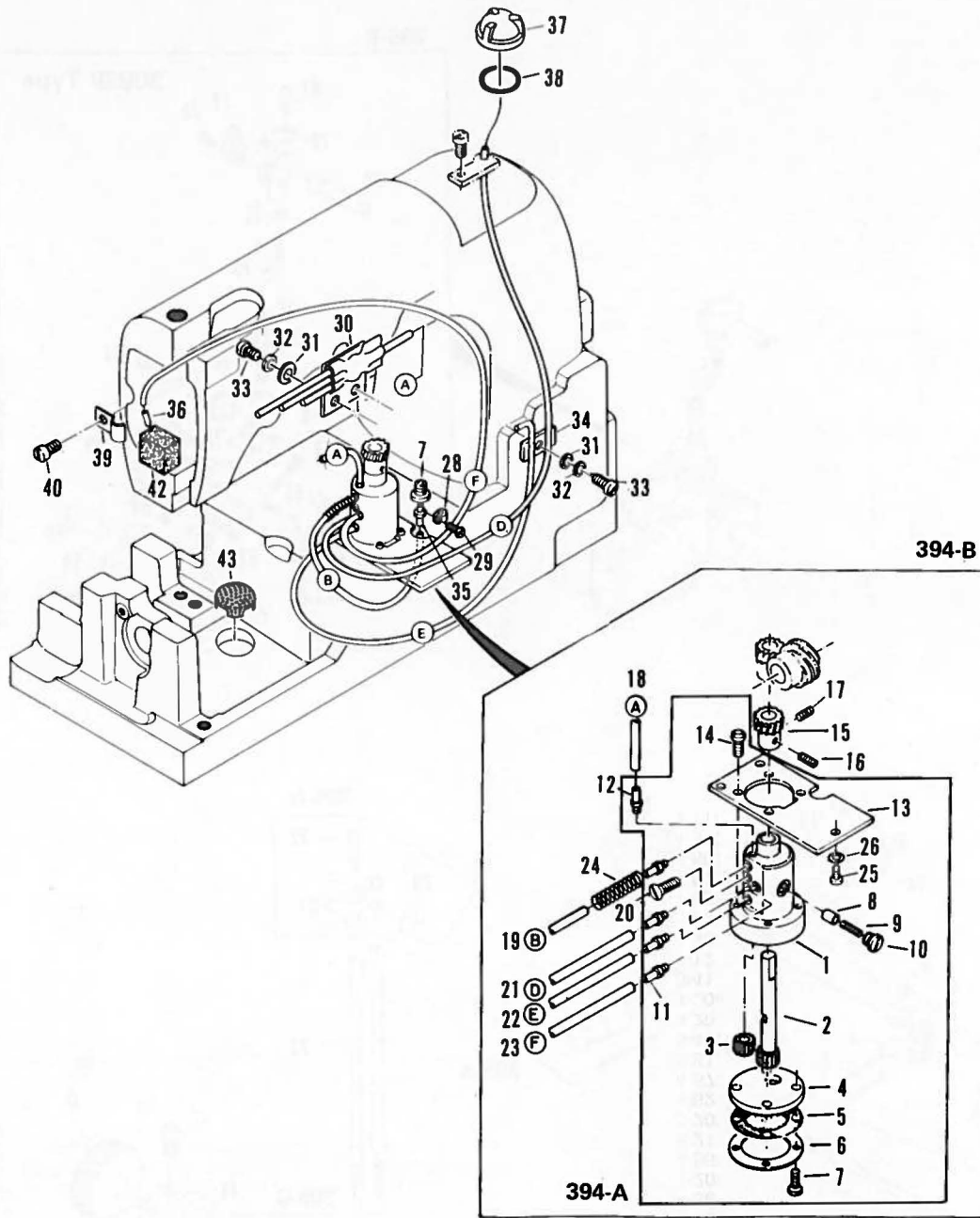
Ref. No.	Part No.	Part Name	Q'ty	Ref. No.	Part No.	Part Name	Q'ty
1	85-531	Screw	1	24	84-374	Screw	1
2	75-456	Washer	1	25	43-305	Looper thread cast-off pin	1
3	45-100	Needle thread eyelet 1	1	26	84-163	Screw	1
4	84-571	Screw	1	27	47-131	Looper thread eyelet	1
5	45-120	Needle lever thread eyelet 1	1	28	47-132	Looper thread eyelet	1
6	84-361	Screw	4	29	84-162	Screw	2
7	45-130	Needle bar thread eyelet 1	1	30	84-571	Screw	2
8	45-161	Needle thread guide D	1	31	41-101	Tension regulating nut	2
9	84-464	Screw	2	32	41-105	Tension disc ratchet	2
10	47-101	Thread eyelet 1	1	33	41-701	Needle thread tension spring	1
11	84-363	Screw	1	34	41-107	Tension disc cover	2
12	47-202	Looper thread guide B	1	35	41-111	Tension disc	4
13	47-203	Looper thread guide C	1	36	41-172	Tension post	2
14	41-303	Thread nipper base	1	37	41-131	Tension post collar A	2
15	84-171	Screw	1	38	41-113	Tension post support	1
16	41-721	Spring	1	39	41-115	Tension post thread eyelet	2
17	45-142	Thread nipper	1	40	41-121	Tension post holder	1
18	84-364	Screw	1	41	41-117	Lead in thread eyelet	2
19	43-301	Cast-off support plate C	1	42	86-411	Nut	1
20	43-111	Retainer support bracket	1	43	41-702	Looper thread tension spring	1
21	84-162	Screw	2	44	41-132	Tension post collar B	1
22	43-112	Pin for looper thread retainer	1	45	84-764	Screw	1
23	43-303	Looper thread retainer	1	46	75-381	Washer	1
392-A	40-111	Thread tension ass'y					
392-B	40-531	Cast-off support plate ass'y					
392-C	40-352	Thread nipper ass'y					

3. Bushings (ブッシュ関係)



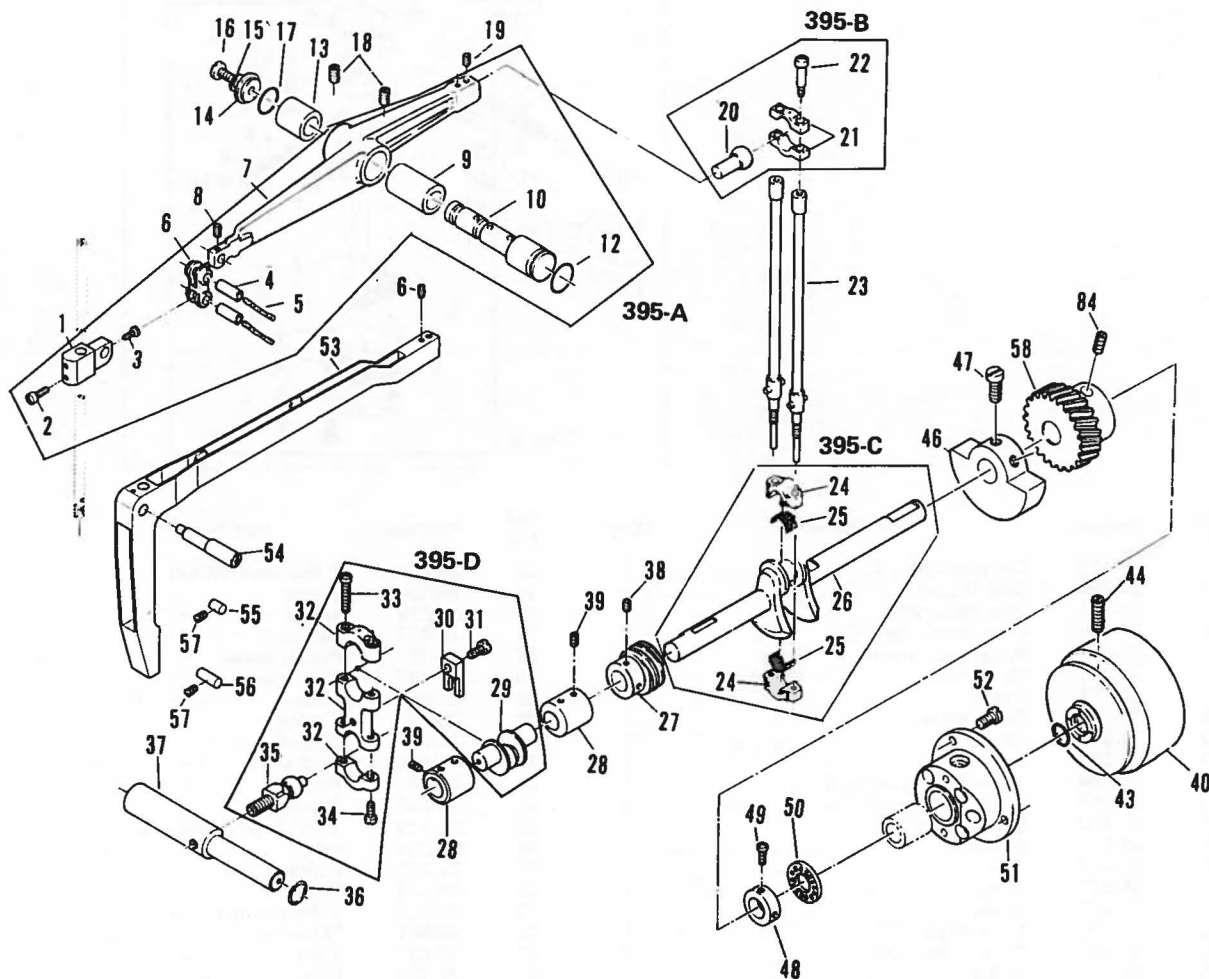
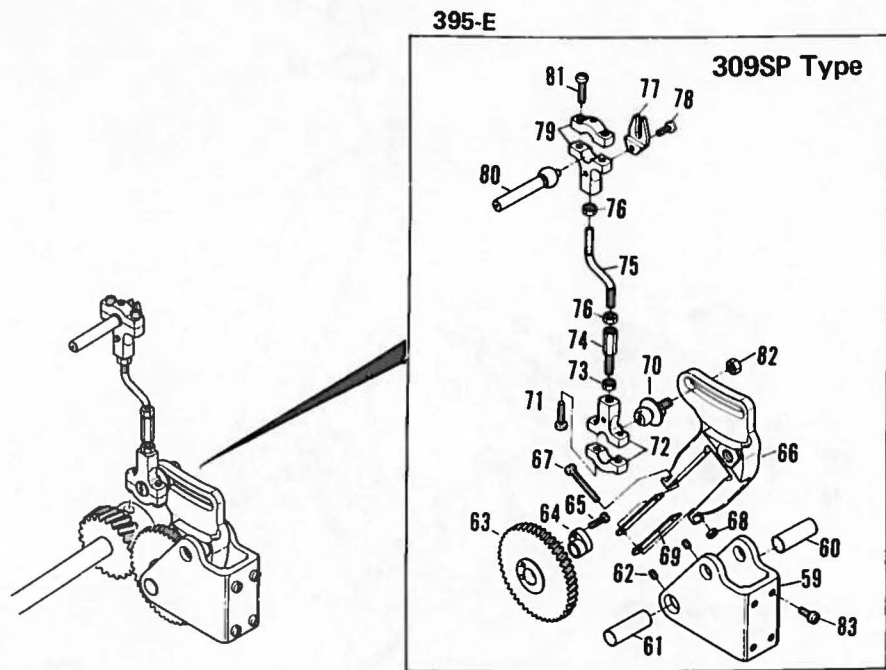
Ref. No.	Part No.	Part Name	Q'ty	Ref. No.	Part No.	Part Name	Q'ty
1	81-711	Main shaft bushing	1	13	23-195	O-ring	1
2	81-713	Main shaft bushing	1	14	87-811	Screw	1
3	81-107	Main shaft bushing	1	15	35-102	Feed rocker tubing B	3
4	81-736	Looper rocker shaft bushing	2	16	35-191	Oil tube support	3
5	81-751	Feed rocker shaft bushing	2	17	84-365	Screw	3
6	81-153	Presser bar bushing	1	18	35-111	Feed rocker eccentric link tubing	2
7	81-255	Presser foot lifter lever bushing	1	19	86-501	Nut	2
8	81-201	Bushing for spring set screw	1	20	23-383	Felt, small	3
9	81-136	Looper drive lever shaft bushing B	1	21	23-381	Felt, large	2
10	81-137	Looper drive lever shaft bushing C	1	22	23-382	Felt	2
11	81-112	Flange bushing	1	23	85-501	Screw	14
12	23-166	Oil plug	1				

4. Oil lubrication apparatus (給油関係)



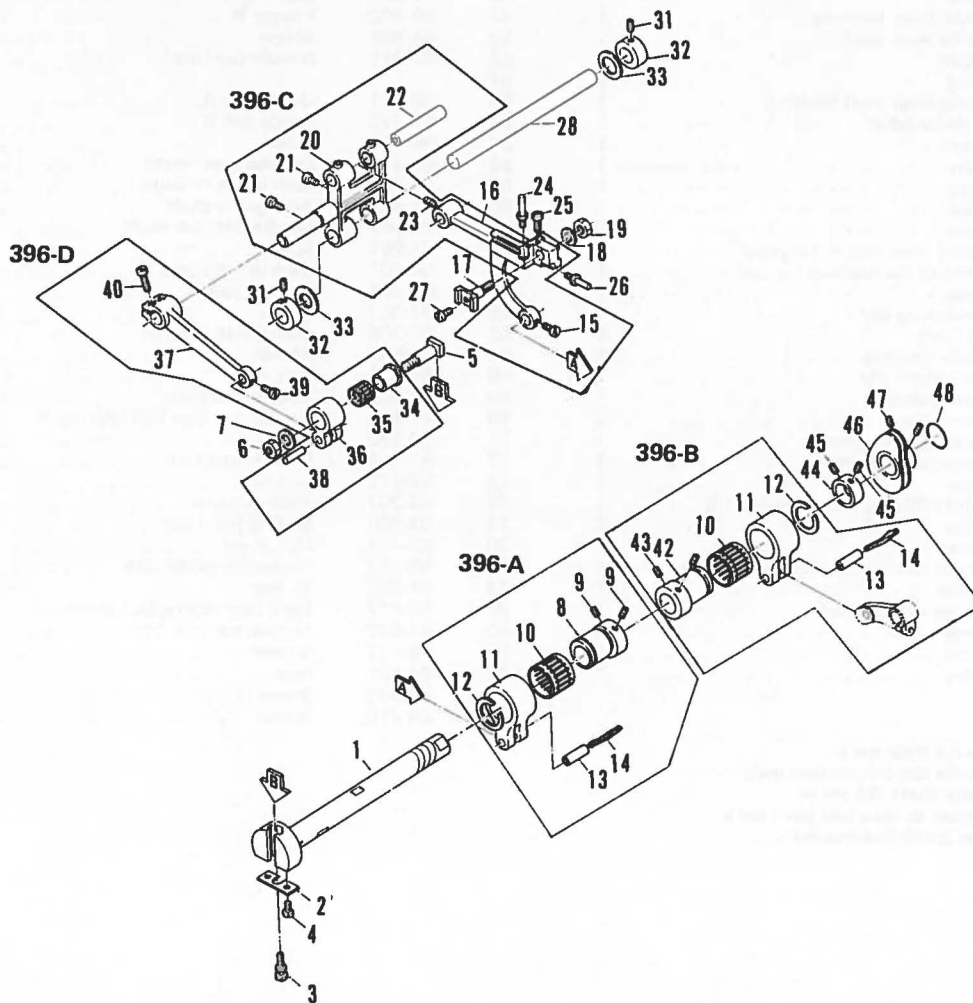
Ref. No.	Part No.	Part Name	Q'ty	Ref. No.	Part No.	Part Name	Q'ty
1	31-401	Oil pump body C	1	23	35-322	Tube, small (600ℓ)	1
2	31-406	Gear (main)	1	24	79-236	Spring	1
3	31-407	Gear (support)	1	25	84-615	Screw	3
4	31-403	Pump body cover C	1	26	75-467	Washer	3
5	31-404	Pump body mesh	1	27	85-531	Fixing screw	1
6	31-405	Mesh frame	1	28	31-341	Tube clamp	1
7	84-571	Screw	4	29	31-341	Screw	1
8	31-305	Pump valve	1	30	35-121	Tubing	1
9	31-306	Spring	1	31	23-291	Gasket	3
10	31-307	Screw	1	32	75-468	Washer	3
11	31-364	Vinyl tube coupling E	1	33	84-363	Screw	3
12	31-314	Vinyl tube coupling C	5	34	35-246	Tubing set	1
13	31-402	Body fixing plate	1	35	31-314	Vinyl tube coupling C	1
14	84-566	Screw	4	36	35-257	Pipe	1
15	31-409	Gear	1	37	39-233	Siphone case	1
16	84-521	Screw	1	38	39-233	O-ring	1
17	84-513	Screw	1	39	39-133	Tube support	1
18	35-302	Tube, large (75ℓ)	1	40	84-361	Screw	1
19	35-303	Tube, large (230ℓ)	1	41	35-257	Tube	1
20	84-661	Screw	1	42	23-268	Felt	1
21	35-303	Tube, large (230ℓ)	1	43	39-101	Dust mesh	1
22	35-303	Tube, large (230ℓ)	1				
394-A	30-005	Oil pump ass'y A (309 Type)					
394-B	30-006	Oil pump ass'y B (309 Type)					

5. Needle lever crank (弓、クランク関係)



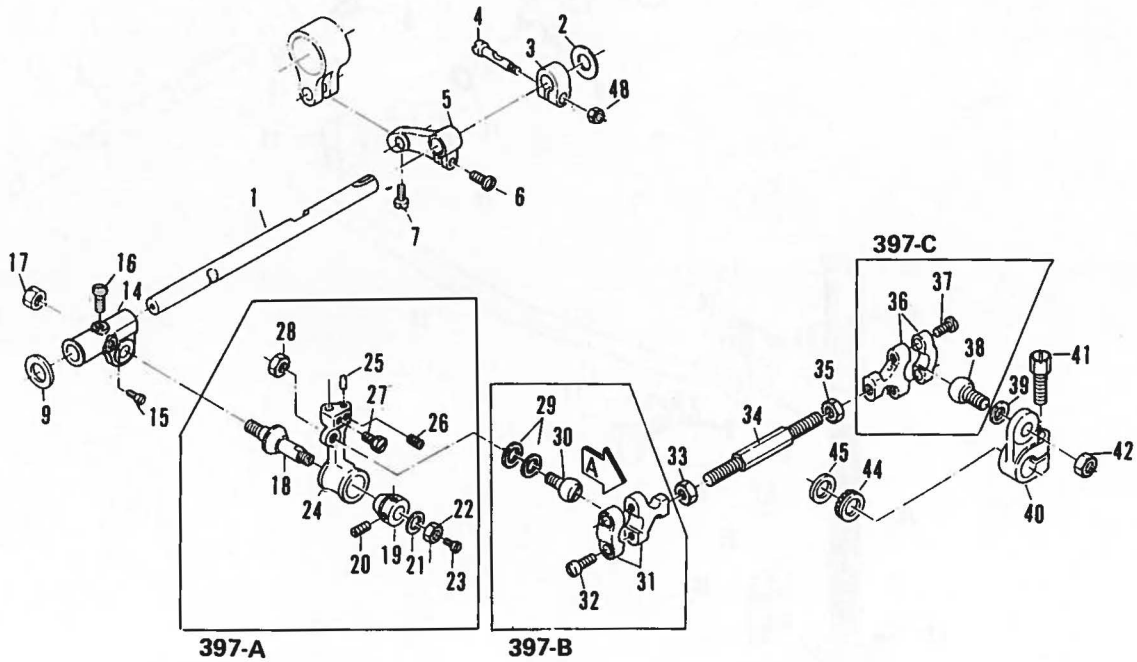
Ref. No.	Part No.	Part Name	Q'ty	Ref. No.	Part No.	Part Name	Q'ty
1	73-114	Needle bar holder	1	43	23-197	O-ring	1
2	84-563	Screw	2	44	84-763	Screw	2
3	84-365	Screw	1	45			
4	71-432	Pin	2	46	69-141	Balance wheel	1
5	23-341	Felt	2	47	84-761	Screw	2
6	66-111	Needle bar connection link	1	48	75-112	Crank shaft collar	1
7	69-105	Needle lever	1	49	84-563	Screw	2
8	84-366	Screw	1	50	92-231	Bearing	1
9	81-113	Needle lever bushing	1	51	69-302	Flange B	1
10	71-932	Needle lever stud	1	52	84-566	Screw	3
11	75-331	Washer	1	53	03-211	Needle bar link	1
12	23-195	O-ring	1	54			
13	81-411	Needle lever stud bushing	1	55	03-221	Guide pin A	1
14	39-107	Oil seal washer	1	56	03-222	Guide pin B	1
15	23-260	Gasket	1	57	84-521	Screw	1
16	85-182	Screw	1	58	02-323	Driving gear, small	1
17	23-195	O-ring	2	59	03-202	Cam guide bracket	1
18	85-114	Screw	2	60	71-526	Arm guide shaft	1
19	85-113	Screw	2	61	71-661	Needle bar link shaft	1
20	61-721	Needle lever connecting rod	1	62	84-261	Screw	4
21	63-721	Ball-joint for connecting rod	1	63	03-203	Cam driving gear B	1
22	84-586	Screw	2	64	03-204	Driving cam	1
23	65-311	Connecting bar	1	65	84-367	Screw	2
24	63-331	Ball joint	1	66	03-205	Cam guide bracket	1
25	91-011	Needle bearing	28	67	84-569	Screw	1
26	71-874	Crank shaft 7M	1	68	86-211	Nut	2
27	31-410	Worm wheel	1	69	03-208	Slide guide plate	2
28	75-101	Joint collar	2	70	61-821	Needle bar link ball bearing A	1
29	71-870	Crank shaft C, small	1	71	84-572	Screw	2
30	69-121	Eccentric guide fork	1	72	63-812	Connecting rod	1
31	84-591	Screw	1	73	86-412	Nut belt	1
32	63-512	Looper driving lever ball joint B	1	74	03-207	Slide adjuster	1
33	84-568	Screw	2	75	03-206	Sliding joint bar	1
34	84-567	Screw	2	76	86-411	Nut, right	2
35	61-713	Looper driving lever connecting rod	1	77	69-122	Eccentric guide fork	1
36	75-332	Washer	1	78	84-362	Screw	1
37	71-612	Looper driving shaft	1	79	63-822	Link connecting ball joint	1
38	84-718	Screw	2	80	61-822	Needle bar link ball	1
39	85-113	Screw	12	81	84-572	Screw	2
40	69-204	Pulley	1	82	86-501	Nut	1
41				83	84-572	Screw	4
42				84	84-718	Screw	2
395-A	60-939	Needle lever ass'y.					
395-B	60-340	Needle bar connection ass'y.					
395-C	70-037	Crank shaft 7M ass'y.					
395-D	60-375	Looper driving ball joint ass'y.					
395-E	00-391	Cam guide bracket ass'y.					

6. Feed rocker (送り台機構)



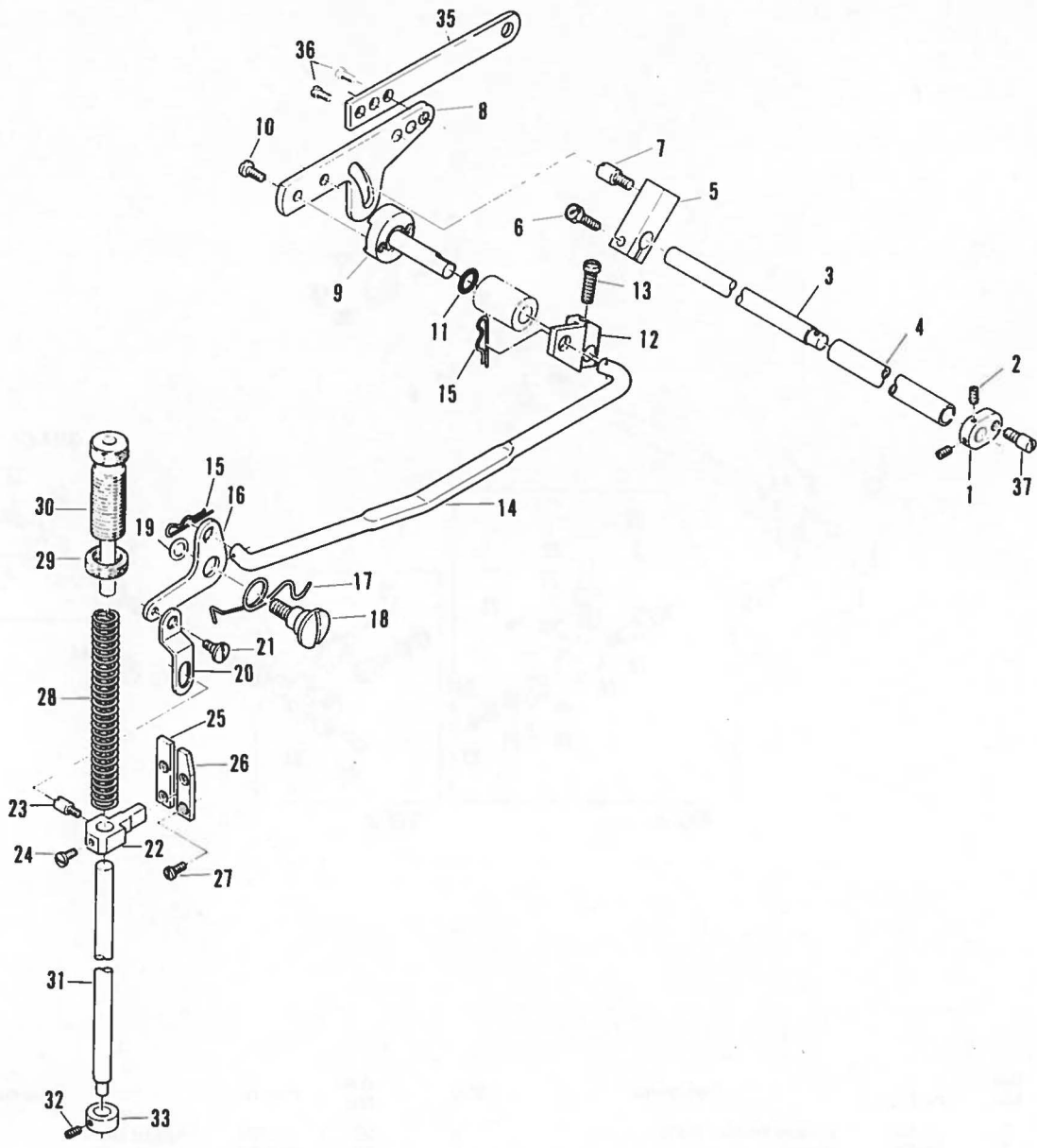
Ref. No.	Part No.	Part Name	Q'ty	Ref. No.	Part No.	Part Name	Q'ty
1	71-776	Main shaft 7F	1	26	84-176	Screw	1
2	51-021	Stitch regulating cap	1	27	84-588	Screw	1
3	84-371	Screw	1	28	71-642	Feed rocker arm	1
4	84-161	Screw	2	29			
5	51-011	Feed crank adjusting post	1	30			
6	75-453	Nut	1	31	84-761	Screw	2
7	86-412	Washer	1	32	75-132	Collar	2
8	61-322	Feed eccentric (0.9)	1	33	75-372	Washer	2
9	84-715	Screw	2	34	75-243	Feed crank link collar	1
10	91-406	Bearing	2	35	91-271	Bearing	1
11	63-235	Looper avoid eccentric	2	36	63-355	Feed rocker eccentric link	1
12	93-406	Snap ring	2	37	67-311	Feed rocker arm	1
13	71-431	Feed rocket eccentric link pin	2	38	71-432	Feed rocker eccentric link	1
14	23-341	Felt	2	39	84-366	Screw	1
15	84-366	Screw	1	40	84-612	Screw	2
16	55-174	Feed rocket	1	41			
17	55-051	Rear feed dog holder	1	42	61-312	Differential feed bar guard	1
18	75-381	Washer	1	43	84-715	Screw	2
19	86-501	Nut	1	44	75-114	Collar	1
20	55-041	Differential feed rocker	1	45	84-711	Screw	2
21	84-571	Screw	2	46	49-131	Looper thread double disc take up	1
22	71-531	Shaft	1	47	84-511	Screw	2
23	84-712	Screw	1	48	23-197	O-ring	1
24	84-177	Screw	1	49			
25	84-462	Screw	1	50			
396-A	60-090	Feed eccentric link ass'y					
396-B	60-780	Looper avoid eccentric link ass'y					
396-C	50-571	Feed rocker ass'y					
396-D	70-037	Feed rocker arm ass'y					

7. Looper (ルーパー機構)



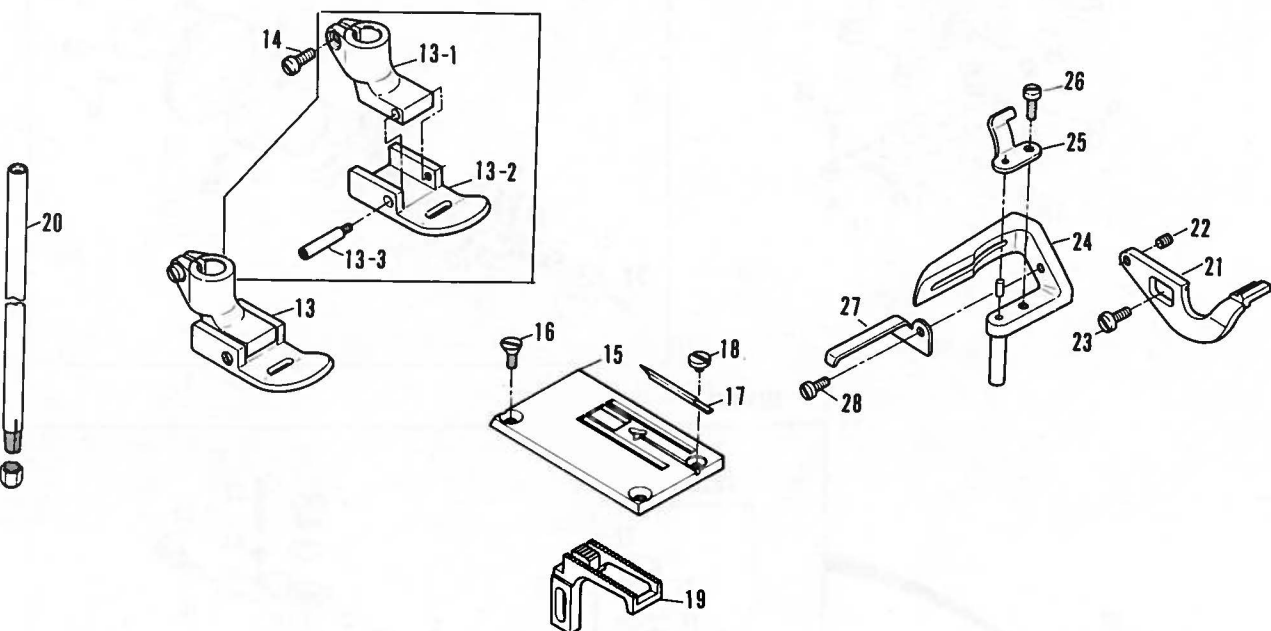
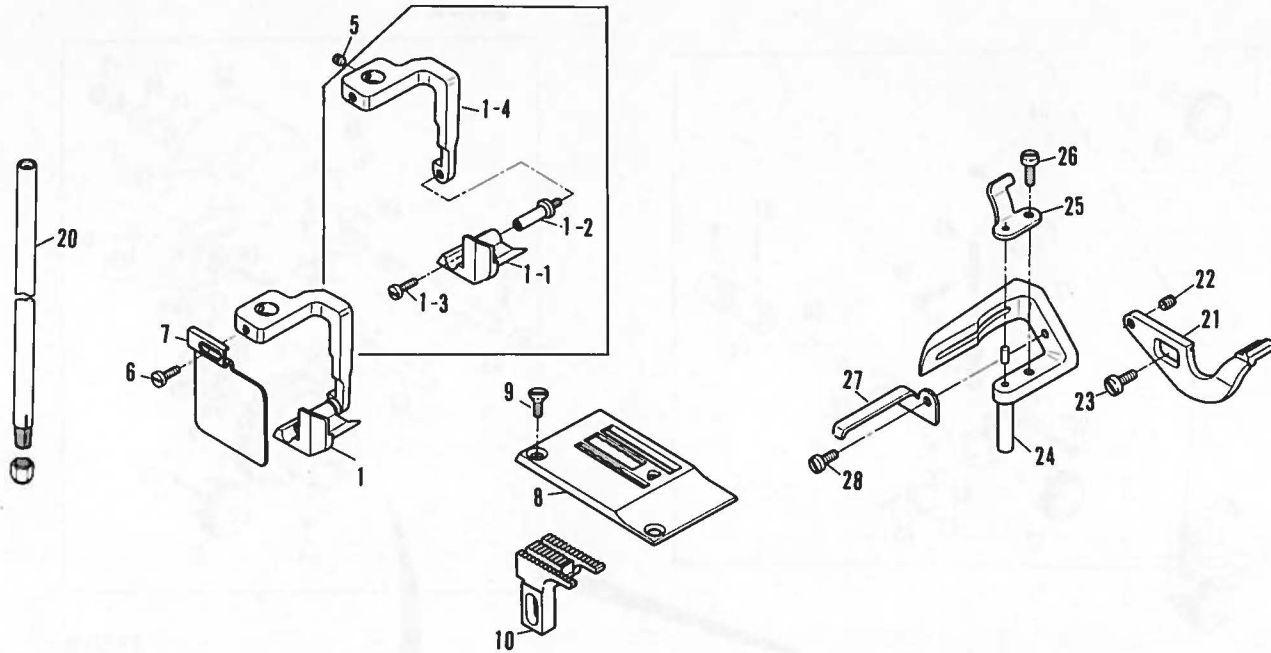
Ref. No.	Part No.	Part Name	Q'ty	Ref. No.	Part No.	Part Name	Q'ty
1	71-561	Looper holder shaft	1	25	71-216	Adjust pin	1
2	75-371	Washer	1	26	84-161	Screw	1
3	75-139	Looper holder shaft collar	1	27	84-616	Screw	1
4	71-454	Screw	1	28	86-413	Nut	1
5	67-132	Looper avoid lever	1	29	75-453	Washer	2
6	84-612	Screw	1	30	61-823	Connecting ball	1
7	84-366	Screw	1	31	63-812	Connecting rod	1
8				32	84-572	Screw	2
9	75-371	Washer	1	33	86-412	Nut (left)	1
10				34	65-435	Connecting bar	1
11				35	86-411	Nut	1
12				36	63-811	Connecting rod	1
13				37	84-572	Screw	2
14	19-305	Looper rocker	1	38	64-823	Connecting ball	1
15	84-716	Screw	1	39	75-401	Washer	1
16	84-766	Screw	1	40	67-225	Looper driving lever E	1
17	86-502	Nut	1	41	85-211	Screw	1
18	71-901	Looper rocker tapered pin	1	42	86-411	Nut	1
19	81-401	Tapared pin bushing	1	43			
20	84-521	Screw	2	44	92-231	Bearing	1
21	75-452	Washer	1	45	75-328	Washer	1
22	86-501	Nut	1	46			
23	84-361	Screw	1	47			
24	19-315	Looper holder C	1	48	86-314	Nut	1
397-A	10-915	Looper holder (E) ass'y					
397-B	60-382	Looper connecting link ass'y					
397-C	60-381	Looper connecting right ass'y					

8. Foot lifter mechanism (押え上げ機構)



Ref. No.	Part No.	Part Name	Q'ty	Ref. No.	Part No.	Part Name	Q'ty
1	77-101	Lifter lever connecting	1	20	77-131	Lifter lever link	1
2	84-512	Screw	2	21	84-581	Screw	1
3	77-112	Foot lifter crank shaft B	1	22	77-133	Pressure bar guide	1
4	77-122	Crank shaft pipe	1	23	84-561	Screw	1
5	77-103	Adjusting post supporter	1	24	84-563	Screw	1
6	84-812	Screw	1	25	77-135	Presser bar connecting guide left	1
7	84-561	Screw	1	26	77-136	Presser bar connecting guide right	1
8	77-141	Presser foot lifter lever	1	27	84-362	Screw	4
9	77-114	Presser foot lifter lever	1	28	79-121	Presser bar spring	1
10	84-566	Screw	2	29	86-851	Nut	1
11	23-189	O-ring	1	30	85-761	Presser bar screw	1
12	77-107	Presser foot lifter connecting plate	1	31	71-542	Presser bar	1
13	84-764	Screw	1	32	75-154	Collar	1
14	77-116	Lifter lever connecting bar	1	33	84-511	Screw	1
15	93-611	Snap pin A	2	34			
16	77-109	Lifter lever spring supporter	1	35	77-232	Connecting plate	1
17	79-222	Lifter lever spring	1	36	84-761	Screw	2
18	84-781	Screw	1	37	84-562	Screw	1
19	75-453	Washer	1				

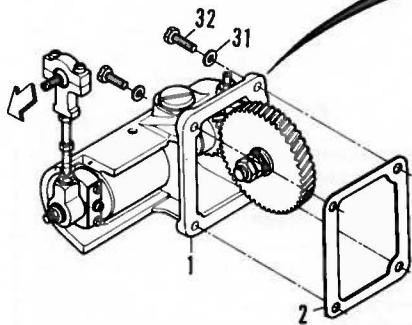
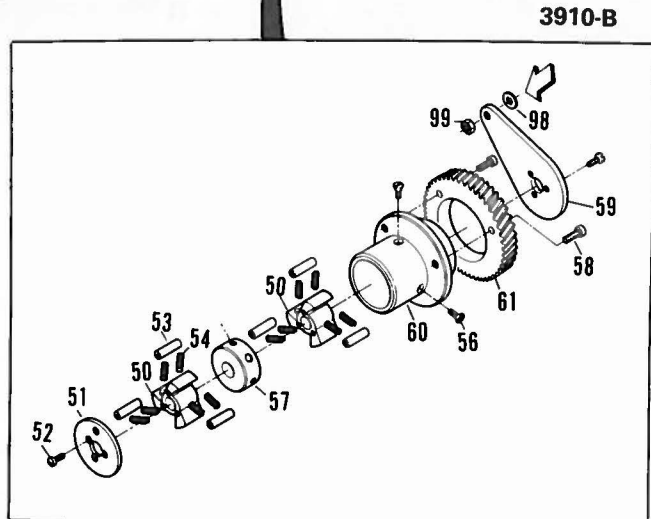
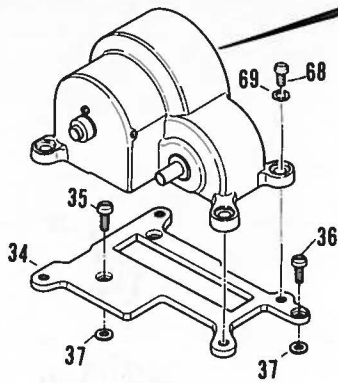
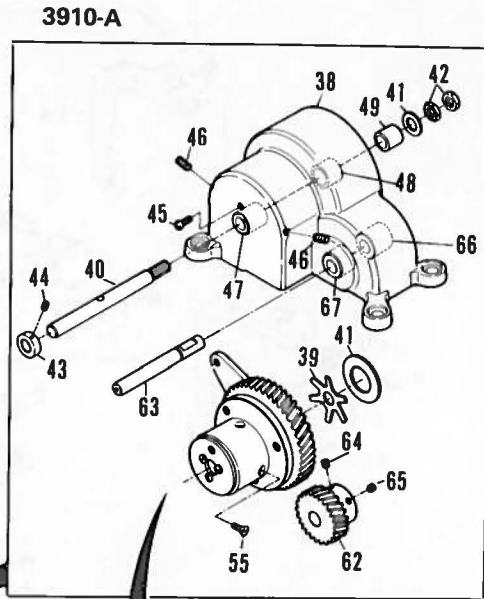
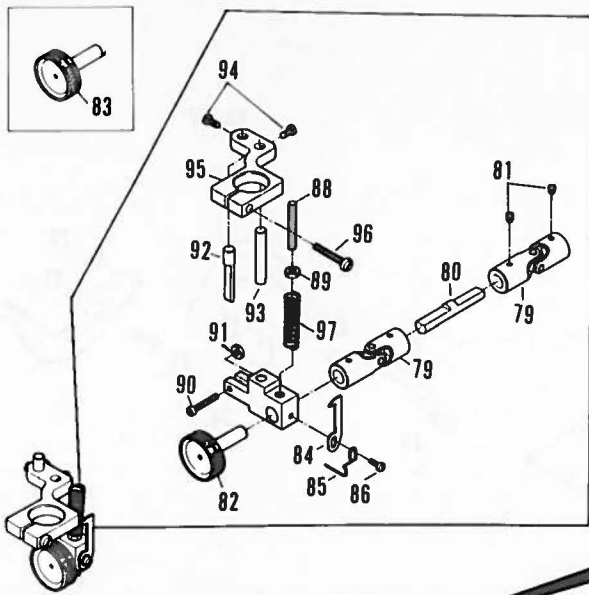
9. Gauge parts (ゲージ関係)



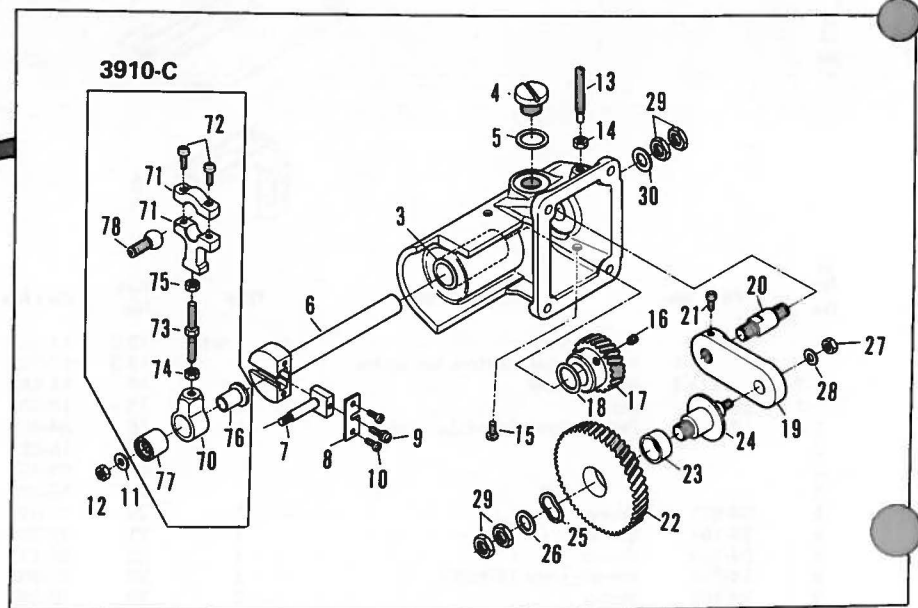
Ref. No.	Part No.	Part Name	Q'ty
1	17-323	Presser foot	1 set
1-1	17-323-1	Presser foot, bottom for styles	1
1-2	17-323-3	Hinge screw	1
1-3	85-611	Screw	1
1-4	17-323-2	Presser foot, shank for styles	1
2			
3			
4			
5	84-571	Screw	1
6	84-161	Screw	1
7	02-365	Guide	1
8	14-323	Needle plate (309SP)	1
9	84-464	Screw	2
10	15-323	Feed dog	1
11			
12	84-567	Screw	1
13	17-321	Presser foot	1 set
13-1	17-321-1	Presser foot, shank	1

Ref. No.	Part No.	Part Name	Q'ty
13-2	17-321-2	Presser foot, bottom	1
13-3	17-321-3	Hinge screw	1
14	84-382	Screw	1
15	14-321	Needle plate (309A)	1
16	84-464	Screw	2
17	14-351	Nail (309A)	1
18	84-191	Screw	1
19	15-321	Feed dog	1
20	11-504	Needle bar	1
21	18-351	Needle guard	1
22	84-113	Screw	1
23	84-368	Screw	1
24	19-361	Looper	1
25	79-576	Thread retaining spring	1
26	85-611	Screw	1
27	79-577	Thread retaining spring	1
28	85-611	Screw	1

10. SP Attachment (SPアタッチメント)

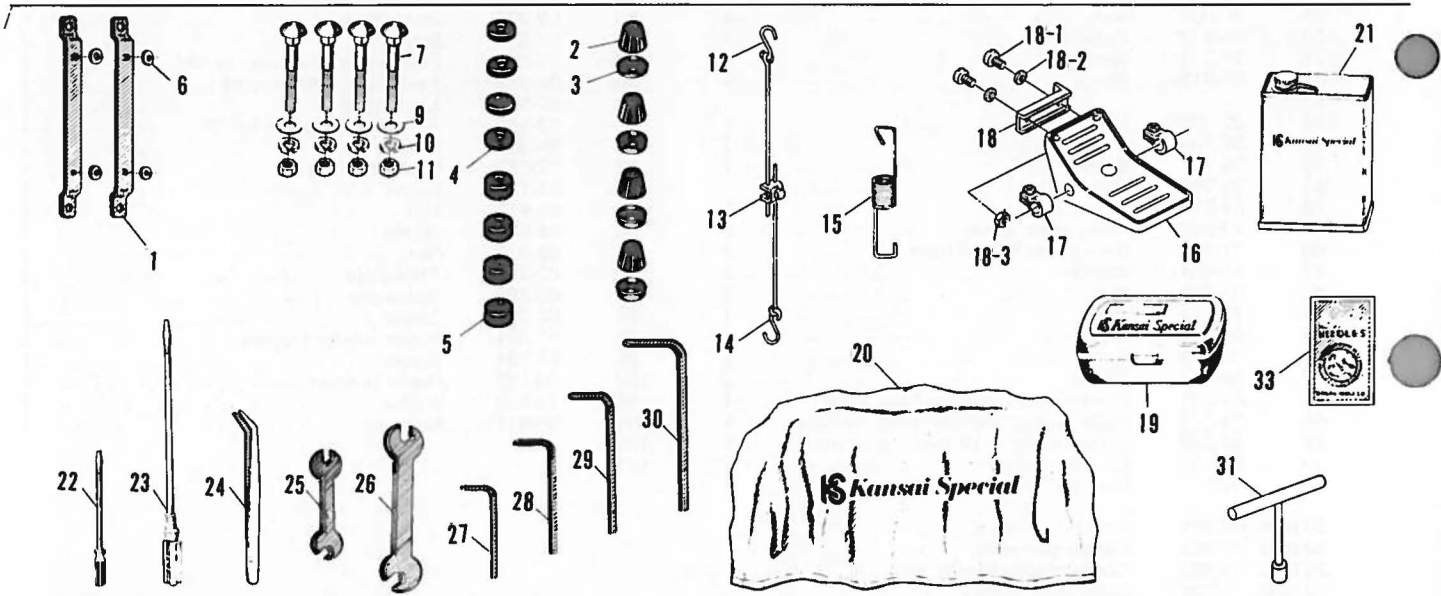
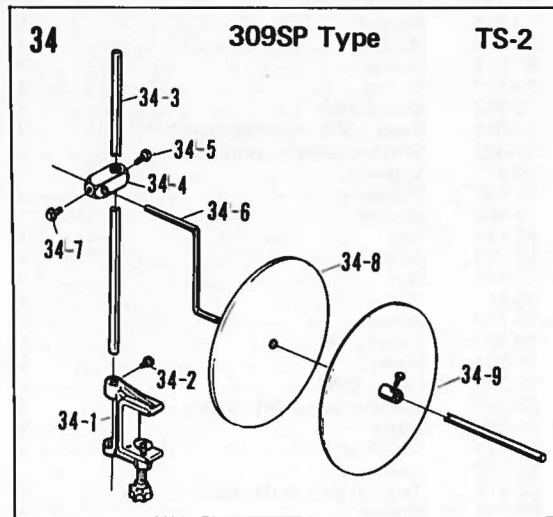
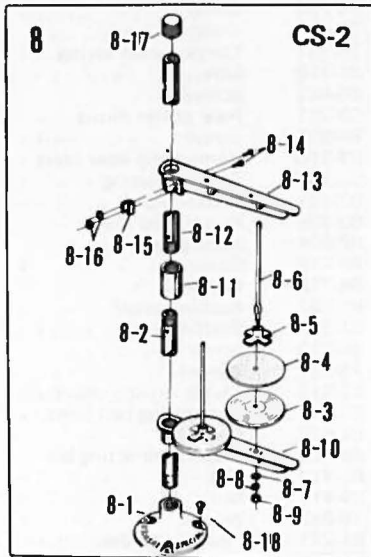


3910-D



Ref. No.	Part No.	Part Name	Q'ty	Ref. No.	Part No.	Part Name	Q'ty
1	02-312	Gear housing	1	52	84-162	Screw	6
2	02-313	Gasket	1	53	71-466	Clutch roller	6
3	81-303	Bushing	1	54	79-191	Check clutch spring	6
4	87-511	Screw	1	55	84-719	Screw	1
5	23-197	O-ring	1	56	84-462	Screw	3
6	02-354	Crank shaft	1	57	02-261	Rear puller thrust	1
7	51-011	Feed crank adjusting post	1	58	84-572	Screw	3
8	51-021	Stitch regulating stud cap	1	59	02-316	Connecting lever plate	1
9	84-371	Screw	1	60	02-317	Clutch housing	1
10	84-161	Screw	2	61	02-321	Clutch gear	1
11	75-453	Washer	1	62	02-328	Roller feed gear	1
12	86-412	Nut	1	63	02-324	Joint gear shaft	1
13	84-723	Screw	1	64	84-718	Screw	1
14	86-411	Nut	1	65	84-719	Screw	1
15	84-813	Screw	1	66	81-301	Bushing small	1
16	84-718	Screw	2	67	81-304	Bushing large	1
17	02-323	Driving gear	1	68	84-812	Screw	4
18	75-321	Washer	1	69	75-381	Washer	4
19	02-320	Gear plate	1	70	02-315	Clutch driving crank	1
20	02-318	Tension gear shaft, large	1	71	63-812	Connecting ball joint	1
21	84-763	Screw	1	72	84-572	Screw	2
22	02-322	Clutch gear	1	73	65-403	Crank connecting bar	1
23	81-302	Bushing	1	74	86-412	Nut	2
24	02-319	Tension gear shaft, small	1	75	86-411	Nut	1
25	02-330	Washer	1	76	75-243	Washer	1
26	39-107	Washer	1	77	91-271	Feed rocker bearing	1
27	86-541	Nut	1	78	61-823	Looper rocker connecting eccentric	1
28	75-463	Washer	1	79	61-823	Universal joint A	2
29	86-801	Nut	4	80	02-326	Joint shaft	1
30	75-372	Washer	1	81	84-521	Screw	8
31	75-381	Washer	4	82	02-389	Feed roller (Narrower pitch)	1
32	84-812	Screw	4	83	02-388	Feed roller (Wider pitch)	1
33				84	02-364	Lock plate	1
34	02-329	Plate	1	85	02-362	Roller guide spring for SP	1
35	84-764	Screw	2	86	84-861	Screw	1
36	84-761	Screw	1	87	02-382	Roller bracket	1
37	75-391	Collar	3	88	84-713	Screw	1
38	02-311	Clutch case	1	89	86-411	Nut	1
39	79-556	Puller plate spring	1	90	84-568	Screw	1
40	71-477	Rear puller holder shaft	1	91	86-312	Nut	1
41	75-451	Washer	2	92	02-384	Fixing pin	1
42	86-761	Nut	2	93	02-385	Guide pin	1
43	75-152	Collar	1	94	84-361	Screw	2
44	84-511	Screw	1	95	02-361	Roller holder bracket	1
45	84-573	Screw	2	96	84-764	Screw	1
46	84-521	Screw	2	97	79-153	Roller bracket	1
47	81-321	Puller holder shaft bushing, large	1	98	75-453	Washer	1
48	81-322	Puller holder shaft bushing, medium	1	99	86-411	Nut	1
49	81-323	Puller holder shaft bushing, small	1	100			
50	02-101	Check clutch A	2	101			
51	02-117	Rear puller pipe cover	1				
3910-A	00-391	Clutch case ass'y.					
3910-B	00-392	Clutch gear ass'y.					
3910-C	00-393	Connecting ball joint ass'y.					
3910-D	00-395	Gear housing ass'y.					

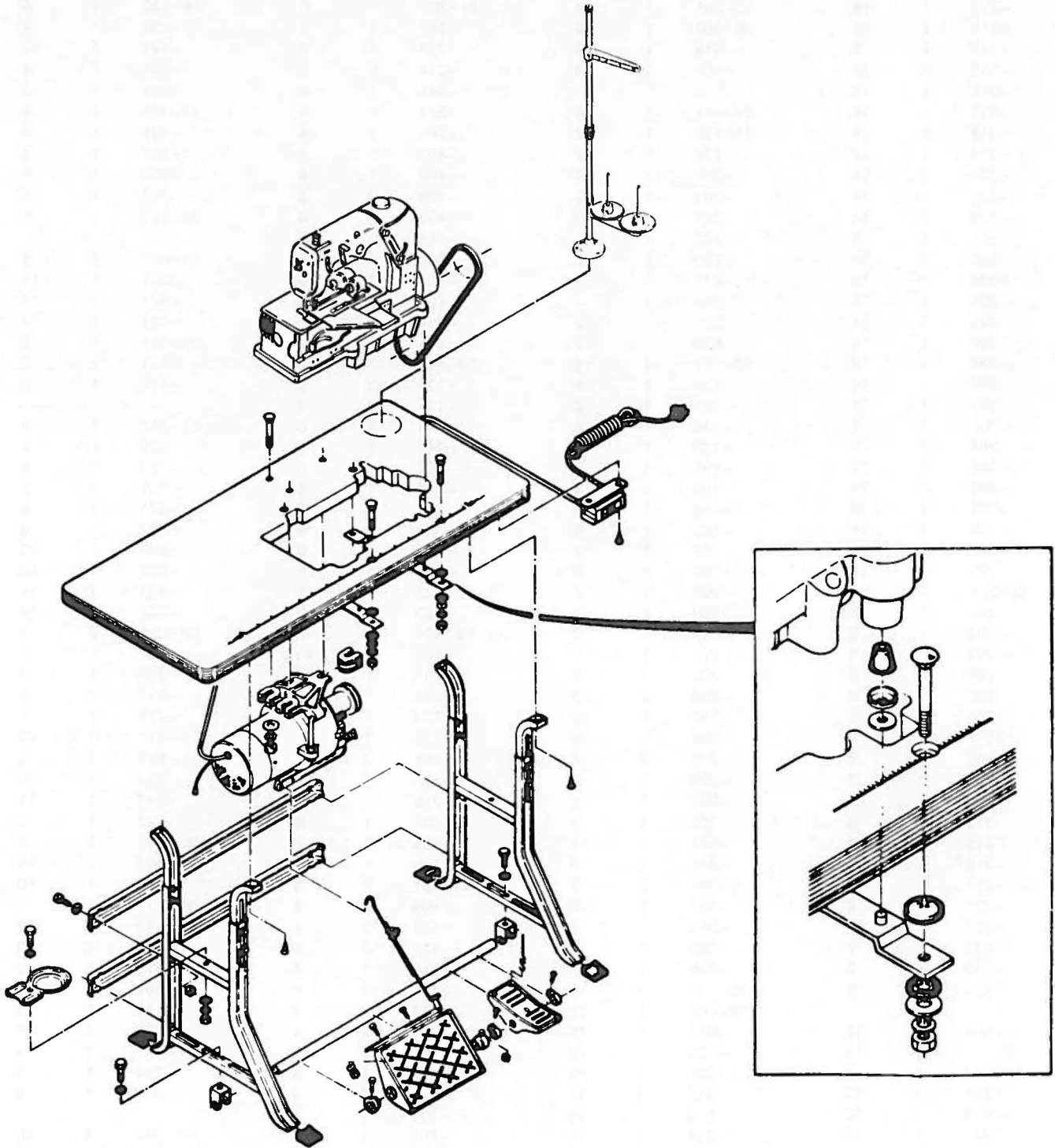
11. Accessories (アクセサリ)



Ref. No.	Part No.	Part Name	Q'ty
1	25-141	Tank installing bracket	2
2	31-161	Cam cushion	4
3	39-104	Rubber support plate	4
4	23-121	Table mounting rubber A	4
5	23-122	Table mounting rubber B	4
6	23-324	Felt	4
7	80-751	Volt	4
8	42-004	Thread stand (SC-4)	1 set
8-1		Base	1
8-2		Bar (low)	1
8-3		Spool tray	4
8-4		Thread cushion	4
8-5		Spool retaining fin	4
8-6		Spool pin	4
8-7		Washer	4
8-8		Nut spring washer	4
8-9		Nut	4
8-10		Spool pin bracket	1
8-11		Collar	1
8-12		Bar (upper)	1
8-13		Thread guide bracket	1
8-14		Screw	4
8-15		Angle washer	2
8-16		Nut	4
8-17		Cap	1
8-18	42-122	Screw	3
9	75-451	Washer M8	4
10	75-529	Spring washer	4
11	88-176	Nut	4
12	77-007	Pitman for machine	1 set
13	77-006	Pitman for machine	
14	77-005	Pitman for machine	

Ref. No.	Part No.	Part Name	Q'ty
15	77-003	Spring for pedal	1
16	77-001	Pedal for foot lifter	1
17	77-002	Collar	2
18	77-004	Lever	1
18-1		Screw	2
18-2		Washer	2
18-3		Nut	2
19	28-001	Accessory box	1
20	28-021	Machine cover	1
21	28-611	Oil (Esso telesso 33)	1
22	28-451	Small driver	1
23	28-452	Driver	1
24	28-011	Tweezer	1
25	28-421	Spanner	1
26	28-422	Spanner	1
27	28-311	Wrench	1
28	28-312	Wrench	1
29	28-313	Wrench	1
30	28-314	Wrench	1
31	28-464	Wrench, T-type (9.5mm)	1
32			
33	13-	Needle DVX43 #14 SY3516#90	1
34	20-611	Tape stand TS-2	1
34-1			
34-2			
34-3			
34-4			
34-5			
34-6			
34-7			
34-8			
34-9			

12. Table stand installation diagram (テーブルスタンド据付図)



13. Index (索引)

Part No.	Q'ty	Page No.	Part No.	Q'ty	Page No.	Part No.	Q'ty	Page No.	Part No.	Q'ty	Page No.
02-101	2	14	17-321-3	1	12	28-611			43-112	1	4
-117	1	14	-323	1	12				-301	1	4
-232	1	2	-323-1	1	12	31-161	4	15	-303	1	4
-261	1	14	-323-2	1	12	-204	1	2	-305	1	4
-311	1	14	-323-3	1	12	-305	1	6	45-100	1	4
-312	1	14	18-351	1	12	31-306	1	6	45-120	1	4
-313	1	14	19-305	1	10	-307	1	6	-130	1	4
-313	1	2	-315	1	10	-314	1	6	-142	1	4
-315	1	14	-361	1	12	-314	5	6	-161	1	4
-316	1	14				-341	1	6	-224	1	2
-317	1	14	20-611	1	15	-341	1	6	47-101	1	4
-318	1	14	21-122	1	2	-364	1	6	-131	1	4
-319	1	14	-131	1	2	-401	1	6	-132	1	4
-320	1	14	-201	1	2	-402	1	6	-202	1	4
-321	1	14	-307	1	2	-403	1	6	-203	1	4
-322	1	14	-311	1	2	-404	1	6	49-131	1	9
-323	1	8	-402	1	2	-405	1	6			
-323	1	14	-503	1	2	-406	1	6	51-011	1	9
-324	1	14	-511	1	2	-407	1	6	-011	1	14
-326	1	14	-528	1	2	-409	1	6	-021	1	9
-328	1	14	-531	1	2	-410	1	8	-021	1	14
-329	1	14	-550	1	2	32-311	1	2	55-041	1	9
-330	1	14	23-121	4	15	35-102	1	5	-051	1	9
-354	1	14	-122	4	15	-111	2	5	-174	1	9
-361	1	14	-161	1	2	-121	1	6			
-362	1	14	-166	1	5	-191	1	5	61-312	1	9
-364	1	14	-189	1	11	-246	1	6	-322	1	9
-365	1	12	-195	1	8	-257	1	6	-713	1	8
-382	1	14	-195	1	8	-257	1	6	-721	1	8
-384	1	14	-195	1	5	-266	1	2	-821	1	8
-385	1	14	-197	1	6	-302	1	6	-822	1	8
-388	1	14	-197	1	9	-303	1	6	-823	1	10
-389	1	14	-197	1	8	-303	1	6	-823	1	10
03-201	1	2	-202	1	2	-303	1	6	-823	1	14
-201	1	2	-209	1	2	-322	1	6	-823	2	14
-202	1	8	-211	1	2	39-101	1	6	63-235	2	9
-203	1	8	-221	1	2	-104	4	15	-331	1	8
-204	1	8	-232	1	2	-107	1	6	-355	1	9
-205	1	8	-260	2	2	-107	1	8	-512	1	8
-206	1	8	-260	1	18	-133	1	6	-721	1	8
-207	1	8	-268	1	6	-137	1	2	-811	1	10
-208	2	8	-291	3	6	-161	2	2	-812	1	8
-209	1	2	-299	1	2	-163	2	2	-812	1	10
-209	1	2	-301	1	2	-213	1	2	-812	1	14
-211	1	8	-302	2	2	-233	1	6	-822	1	8
-215	1	2	-324	4	15	-233	1	6	65-311	1	8
-216	1	2	-341	2	8				-403	1	14
-217	1	2	-341	2	9	41-101	2	4	-435	1	10
-221	1	8	-381	2	5	-105	2	4	66-111	1	8
-222	1	8	-382	2	5	-107	2	4	67-132	1	10
-231	1	2	-383	2	5	-111	4	4	-225	1	10
-232	4	2	-404	1	2	-113	1	4	-311	1	9
-233	1	2	25-141	2	15	-115	2	4	69-105	1	8
			28-001	1	15	-117	2	4	-121	1	8
11-504	1	12	-011	1	15	-121	1	4	-122	1	8
13-	1	15	-021	1	15	-131	2	4	-141	1	8
14-052	1	2	-311	1	15	-132	1	4	-204	1	8
-321	1	12	-312	1	15	-172	2	4	-302	1	8
-323	1	12	-313	1	15	-303	1	4			
-351	1	12	-314	1	15	-701	1	4	71-216	1	10
15-321	1	12	-421	1	15	-702	1	4	-251	2	2
-323	1	12	-422	1	15	-721	1	4	-431	2	9
17-321	1	12	-451	1	15	42-004	1	15	-432	2	8
-321-1	1	12	-452	1	15	-122	3	15	-432	1	9
-321-2	1	12	-464	1	15	43-111	1	4	-454	1	10

13. Index(索引)

Part No.	Q'ty	Page No.	Part No.	Q'ty	Page No.	Part No.	Q'ty	Page No.	Part No.	Q'ty	Page No.
71-466	6	14	77-112	1	11	84-363	1	2	84-579	3	2
-477	1	14	-114	1	11	-363	1	4	-581	2	2
-526	1	8	-116	1	11	-363	3	6	-581	1	11
-531	1	9	-122	1	11	-364	1	4	-585	3	2
-542	1	11	-131	1	11	-365	3	5	-586	2	8
-561	1	10	-133	1	11	-365	1	8	-588	1	9
-612	1	8	-135	1	11	-366	1	8	-591	1	8
-642	1	9	-136	1	11	-366	1	9	-612	2	9
-661	1	8	-141	1	11	-366	1	9	-612	1	10
-776	1	9	-232	1	11	-366	1	10	-615	3	6
-870	1	8	79-121	1	11	84-367	2	8	84-616	1	10
-874	1	8	-153	1	14	-368	1	12	-661	8	2
-901	1	10	-191	6	14	-371	1	9	-661	1	6
-932	1	8	-222	1	11	-371	1	14	-661	1	14
73-114	1	8	-236	1	6	-374	1	4	-664	1	2
75-101	2	8	-556	1	14	-382	1	12	-664	10	2
-112	1	8	-576	1	12	-461	2	12	-711	2	9
-114	1	9	-577	1	12	-462	1	9	-712	1	9
-132	2	9				-462	3	14	-713	1	14
-139	1	9	80-751	4	15	-464	2	4	-715	2	9
-152	1	14	81-107	1	5	-464	2	12	-715	2	9
-154	1	11	-112	1	5	-511	2	9	-716	1	10
-243	1	9	-113	1	8	-511	2	11	-718	2	8
-243	1	14	-136	1	5	-511	1	14	-718	2	8
-321	1	14	-137	1	5	-512	2	11	-718	2	14
-328	1	9	-153	1	5	-513	1	6	-718	1	14
-331	1	8	-201	1	5	-521	1	6	-719	1	14
-332	1	8	-255	1	5	-521	1	8	-719	1	14
-371	1	9	-301	1	14	-521	2	10	-723	1	14
-371	1	9	-302	1	14	-521	2	14	-761	1	2
-372	1	14	-303	1	14	-521	8	14	-761	3	2
-381	4	14	-304	1	14	-561	1	11	-761	2	8
-381	1	4	-321	1	14	-561	1	11	-761	2	9
-381	4	14	-322	1	14	-562	1	2	-761	2	11
-391	3	14	-401	1	10	-562	1	11	-761	1	14
-401	1	9	-411	1	8	-563	2	8	-763	2	8
-446	2	2	-711	1	5	-563	2	8	-763	1	14
-451	2	14	-713	1	5	-563	1	11	-764	1	4
-451	4	15	-736	2	5	-566	5	2	-764	1	11
-452	2	2	-751	2	5	-566	4	6	-764	2	14
-453	2	9	84-113	2	8	-566	3	8	-764	1	14
-453	1	9	-113	1	12	-566	2	11	-766	1	10
-453	1	2	-117	1	9	-567	2	8	-781	1	11
-453	1	11	-161	1	2	-567	1	12	-812	1	11
-453	1	14	-161	2	9	-568	2	8	-812	4	14
-453	1	14	-161	1	10	-568	1	14	-812	4	14
-454	3	2	-161	1	12	-569	1	8	-813	1	14
-456	1	4	-161	2	14	-571	1	4	-861	2	2
-463	1	14	-162	2	4	-571	2	4	-862	3	2
-467	3	2	-162	2	4	-571	4	6	-862	3	2
-467	1	6	-162	6	14	-571	2	9	-862	4	2
-468	3	6	-163	1	4	-571	1	12	85-113	2	8
-469	1	2	-164	2	2	-572	1	2	-114	2	8
-529	4	15	-171	1	4	-572	7	2	-181	2	2
77-001	1	15	-176	1	9	-572	11	2	-182	1	8
-002	2	15	-191	1	12	-572	2	8	-211	1	10
-003	1	15	-261	4	8	-572	2	8	-501	14	5
-004	1	15	-361	1	2	-572	4	8	-531	1	4
-005		15	-361	1	2	-572	2	10	-531	1	6
-006		15	-361	4	4	-572	2	10	-611	1	2
-007		15	-361	1	6	-572	3	14	-611	1	12
-101	1	11	-361	1	10	-572	2	14	-611	1	12
-103	1	11	-361	2	14	-573	2	14	-611	1	12
-107	1	11	-362	1	8	-574	1	2	-627	2	2
-109	1	11	-362	4	11	-574	3	2	-628	2	2

13. Index (索引)

Part No.	Q'ty	Page No.
85-761	1	11
86-211	2	8
-312	1	14
-314	1	10
-411	1	4
-411	2	8
-411	1	10
-411	1	10
-411	1	14
-411	1	14
-411	1	14
-411	1	14
-412	1	8
-412	1	9
-412	1	10
-412	1	14
-412	2	14
-413	1	10
-501	2	5
-501	1	8
-501	1	9
-501	1	10
-502	1	10
-541	1	14
-761	2	14
-801	4	14
-851	1	11
87-511	1	14
-756	2	2
-810	1	2
-811	1	5
88-176	4	15
91-011	28	8
-271	1	9
-271	1	14
-406	2	9
92-231	1	8
-231	1	10
93-406	2	9
-611	2	11

MORIMOTO MFG. CO., LTD.

Megalo Coop Fukushima Bldg. (2F),
10-19, Fukushima 2-Chome, Fukushima-ku,
Osaka 553, Japan
Tel: (06) 451-9127 Telex: 05242193 KSPCAL-J

MAIN FACTORY

180, Suna Shijonawate City, Osaka 575, Japan
Tel: (0720) 78-1177

MORIMOTO MFG. (S) CO. PTE. LTD.

18A-23A Block 12, 50 Kallang Bahru,
Kallang Basin Industrial Estate Singapore 12
Tel: 2938856, 2938880 Telex: RS25138 A/B: MMSPL

MORIMOTO MFG. (H.K.) LTD.

C-22 22nd Floor, Pearl City Mansion, Paterson Steet, Hong Kong
Tel: 5-771631 Telex: 83919 (MOR H.K)

